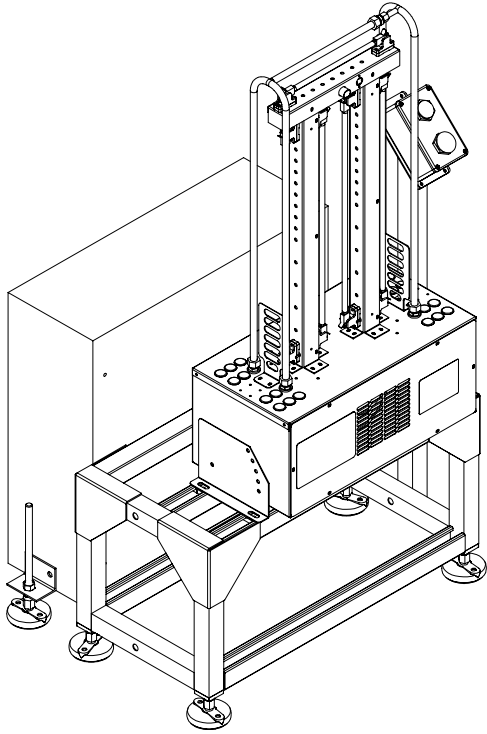




FOSTORIA SLIM LINE SEAT TRIM HEATER

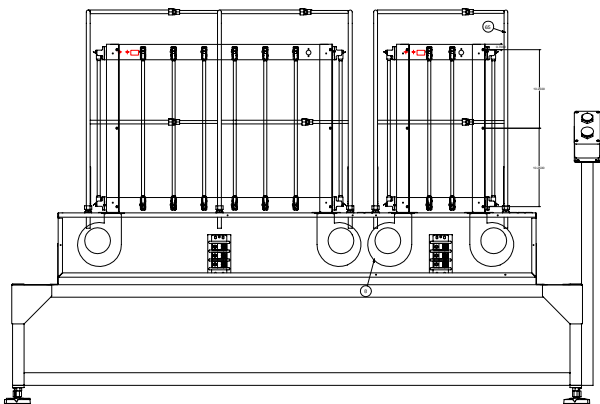
PATENT PENDING



Fostoria Industries is committed to continually improving our product line. Working closely with our customers, we have improved the design of the Seat Trim Heater. The new unit is slimmer in profile, allowing it to be used on second row and third row seats.



The unit will heat the “A” surfaces of the seat trim to temperature in seconds. Heating the “A” surfaces of the seat trim aids in the installation, which allows the customer to produce a better product.



Fostoria’s engineering staff has the ability to design Seat Trim Heaters for a variety of seat types and materials;

- Bucket Seat Trim
- 40% Seat Trim
- 60% Seat Trim
- Bench Seat Trim
- Leather
- Vinyl

Fostoria Industries, Inc.

**1200 N Main St. • P. O. Box 986 • Fostoria, OH 44830-0986 • Ph: 419/435-9201 • Fax: 419/435-0842
ISO 9001 Certified Quality Systems • Web Site: www.fostoriaindustries.com**